



SU FUTURO EN TECNOLOGIA

Circuitos Integrados * Semiconductores * Repuestos Industriales * Servicio Técnico * Instrumentación
Representantes exclusivos para el Ecuador de **KEPCO INC.** fabricantes de Fuentes de Poder

Baquerizo Moreno y Loja * Guayaquil – Ecuador

Tel: (4) 230-7996

Fax: (4) 230-7987

E-mail: erazoc@chipscom.com

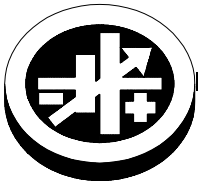
Estimado cliente:

En las siguientes páginas encontrará la información solicitada por usted, confiamos son de utilidad.

Si necesita más detalles, por favor comuníquese conmigo hoy mismo.

Carlos Erazo
Gerente General

INSTRUCTION MANUAL



KEPCO An ISO 9001 Company.



KEPCO 15 WATT HIGH FREQUENCY SWITCHING POWER SUPPLIES

I — INTRODUCTION

The Kepco FAK 15 Watt Series low profile high frequency switching power supplies employ flyback conversion and operate at 70% efficiency with either a-c or d-c input. A thermistor soft-start circuit limits start-up surge. Surface mount technology permits efficient compact topology for minimum mounting space. Four models may be selected for outputs of 5, 12, 15 or 24V. A green "POWER OK" light is provided. A steel cover (Model CA 21) is available as an option. Output voltage may be adjusted with a trimmer accessible near the input-output terminal strip. When the input is cut off, the output is maintained for 20–30 milliseconds (30 milliseconds typical). EMI filtering meets FCC Class B rating. Table 1 contains specifications for each model of the FAK 15 Watt Series. Environmental specifications for each model are the same.

II — SPECIFICATIONS

The following specifications apply to FAK 15 Watt Series models.

TABLE 1. OUTPUT RATINGS AND SPECIFICATIONS, FAK 15W SERIES

MODEL		FAK 5-3K	FAK 12-1.3K	FAK 15-1K	FAK 24-0.7K
OUTPUT VOLTS, d-c (NOMINAL)		5.0V	12.0V	15.0V	24.0V
ADJUSTMENT RANGE		4.5-5.5V	10.8-13.2V	13.5-16.5V	21.6-26.4V
OUTPUT CURRENT (NOMINAL)		3.0A	1.3A	1.0A	0.7A
OUTPUT POWER (MAXIMUM)		15.0W	15.6W	15.0W	16.8W
RIPPLE AND NOISE (mV p-p) 0-50°C 10-100% LOAD	source (typ)	10	10	10	10
	source (max)	30	30	30	30
	switching (typ)	30	30	30	30
	switching (max)	60	70	70	80
	spike noise (d-c—50MHz)	120	190	220	310
OVERCURRENT SETTING 25°C, NOM. INPUT		3.3-5.0A	1.4-2.3A	1.1-2.0A	0.8-1.4A

INPUT:

Voltage: 115V a-c nominal; Range 85-132V a-c; 110-170V d-c.
 Frequency: Nominal 50-60 Hz; Range 47-440Hz (at 440Hz leakage current exceeds UL safety spec. limit).
 Current: 0.28A typ., 0.35A max. (nominal output at rated load @25° C).
 Initial Turn-on Surge: 22A max. (one-half of first input cycle).

STABILIZATION:

Source Effect: 0.6% typ.; 2.0% max. from minimum to maximum input.
 Load Effect: 1.2% typ.; 3.0% max. (range: 10%-100% load).
 Temperature Effect: 0.6% typ.; 2.0% max. (range: 0° to 50°C).
 Combined Effect: ±1.0% typ.; ±3.0% max. (includes source, load, and temperature effects).
 Drift: 0.1% typ.; 0.5% max. (1/2 hr—8 hr at 25°C).

RECOVERY CHARACTERISTICS: A step load change from 50% to 100% produces less than ±4% output excursion. Recovery occurs to within ±1% of the original setting in <1 ms (t_r or t_f equal to or greater than 50µsec at load change).

START-UP TIME: 100 ms. maximum.

HOLD-UP TIME: 30 ms. typ. (20 ms. min).

DIELECTRIC STRENGTH:

Between input and output: 2KV a-c for one minute.
 Between input and ground terminals: 2KV a-c for one minute.

LEAKAGE CURRENT (UL method, 115V a-c, 50-60Hz): 0.5 mA maximum.

SAFETY: UL 478 recognized; CSA 1402 certified.

EMI: Designed to meet FCC 20780. Class B.

VIBRATION: (non-operating, one hour on each one of the three axes):

5-10 Hz, 10 mm amplitude.
 10-55 Hz, 2g acceleration.

SHOCK: (non-operating, one-half sinusoidal pulse, three shocks to each axis):

Acceleration: 20g
 Duration: 11ms ±5ms

OPERATING TEMPERATURE: See Figure 1.

STORAGE TEMPERATURE: -40°C to +75°C.

OPERATING AND STORAGE RELATIVE HUMIDITY: 20%–95% (non-condensing).

FUSE: Medium acting 2A, 125V; (5.2 x 20mm), Nagasawa P/N GHS2A-HL; Kepco P/N 541-0107.

WARRANTY: 1 year.

KEPCO, INC. ● 131-38 SANFORD AVENUE ● FLUSHING, NY. 11352 U.S.A. ● TEL (718) 461-7000 ● FAX (718) 767-1102

<http://www.kepcopower.com> ● email: hq@kepcopower.com

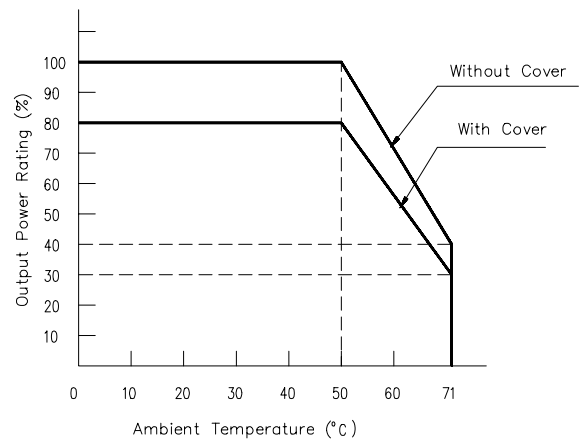
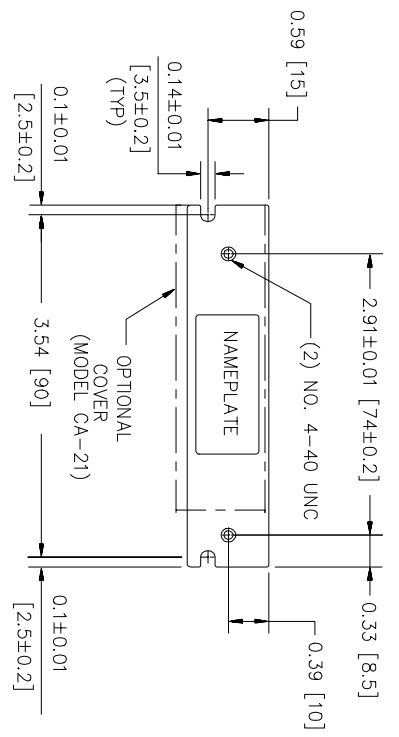
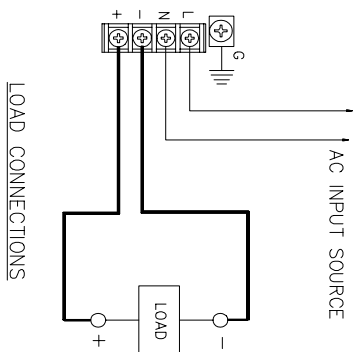
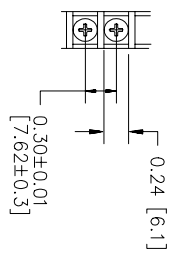


FIGURE 1. OUTPUT POWER VS. AMBIENT TEMPERATURE

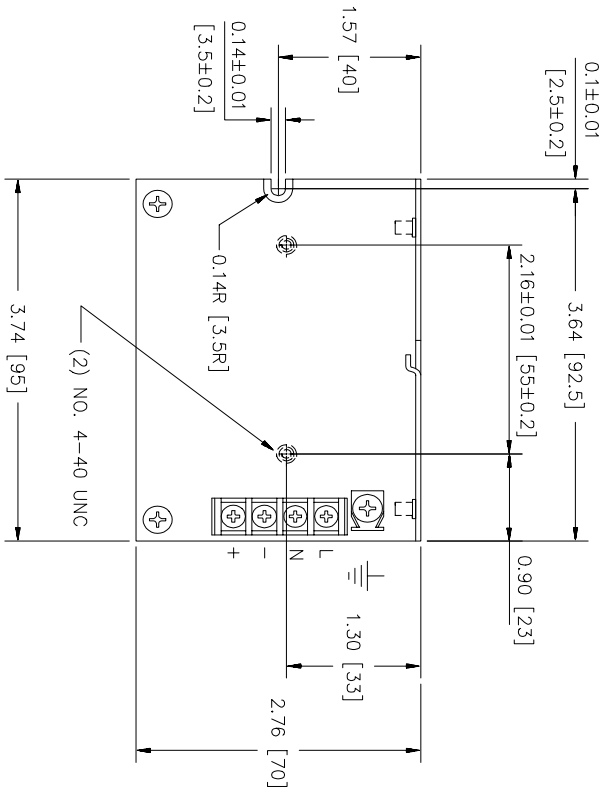


DETAILED DRAWING OF

TERMINAL BLOCK

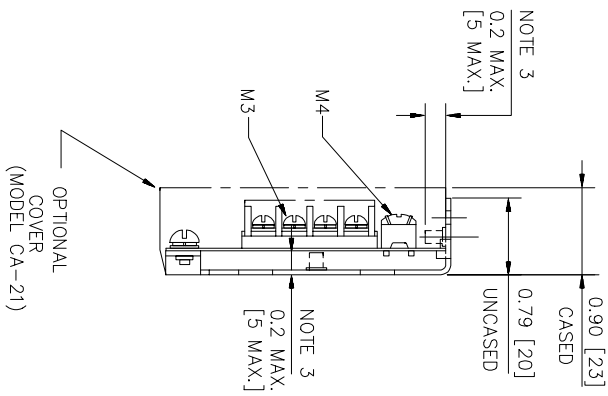


LOAD CONNECTIONS

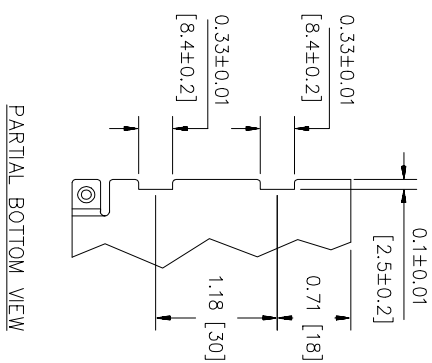


NOTES:

1. DIMENSIONS IN PARENTHESES ARE IN MILLIMETERS, OTHERS IN INCHES.
2. TOLERANCES: ±.04 (±1) EXCEPT AS NOTED.
3. MAXIMUM MOUNTING SCREW PENETRATION: 0.2 (5).



OPTIONAL COVER (MODEL CA-21)



PARTIAL BOTTOM VIEW

MECHANICAL OUTLINE DRAWING